

DAFTAR PUSTAKA

<http://budikribo.blogspot.co.id/2013/05/piezoelectric.html>

<http://forum.arduino.cc/index.php?topic=8243>.

https://id.wikipedia.org/wiki/Piezoelectric_sensor

<https://mirandarosadi85.wordpress.com/2015/03/17/fungsi-pintu-dan-jendela-pada-rumah-dan-bangunan/>

<http://raksonibs.github.io/blog/104/>

<http://trikueni-desain-sistem.blogspot.co.id/2014/03/Pengertian-Motor-Servo.html>

http://workshopweekend.net/arduino/projects/secret_door_knocker

<http://www.buildcircuit.com/how-to-use-rf-module-with-arduino/>

<http://www.instructables.com/id/Morse-Code-with-Capacitive-Touch/step3/Assembly/>

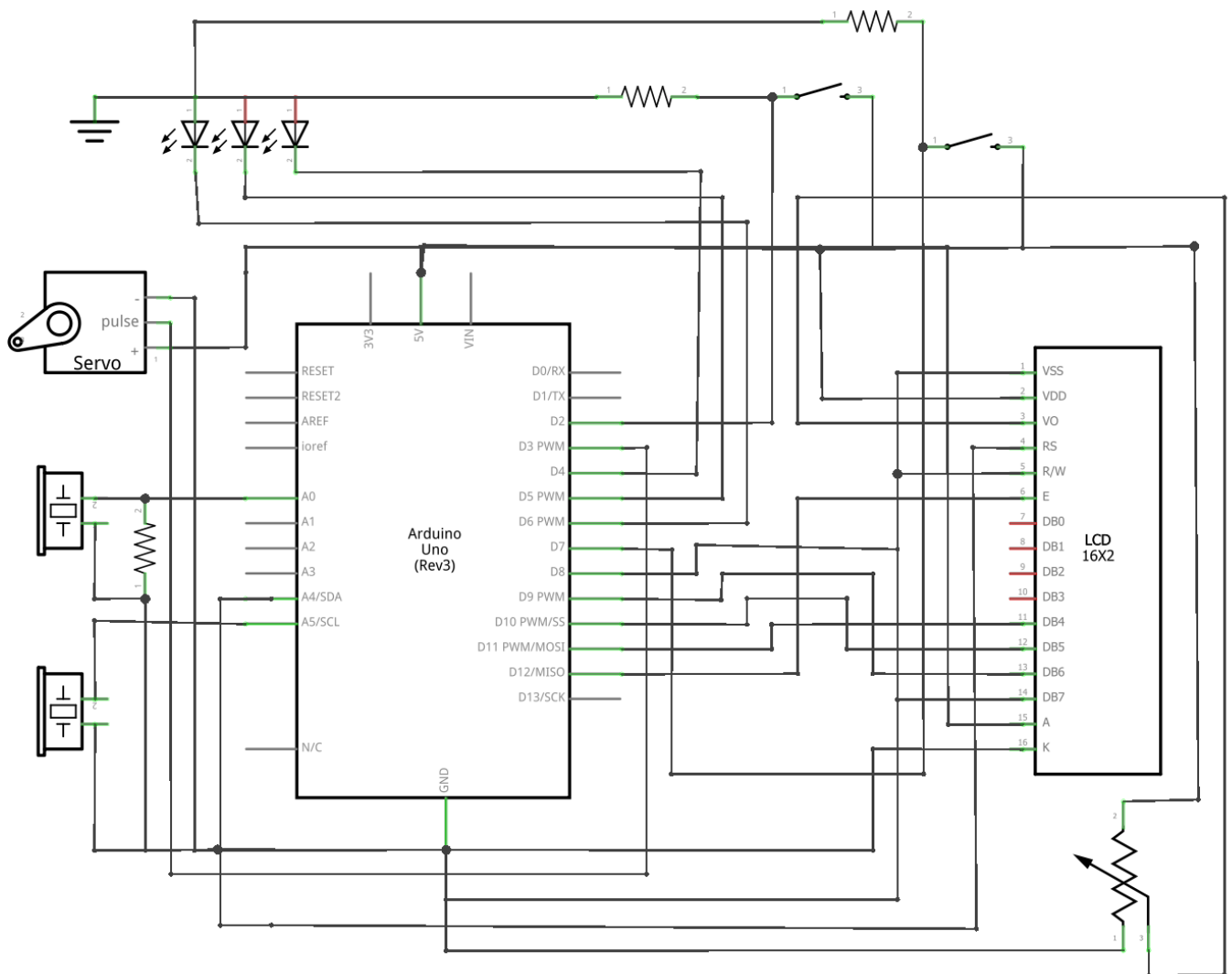
<http://www.instructables.com/id/Secret-Knock-Detecting-Door-Lock/>

<http://www.multiwingspan.co.uk/arduino.php?page=buzzer2>

<http://www.vcc2gnd.com/sku/PZD27>

LAMPIRAN

SKEMA RANGKAIAN



Gambar Skema rangkaian